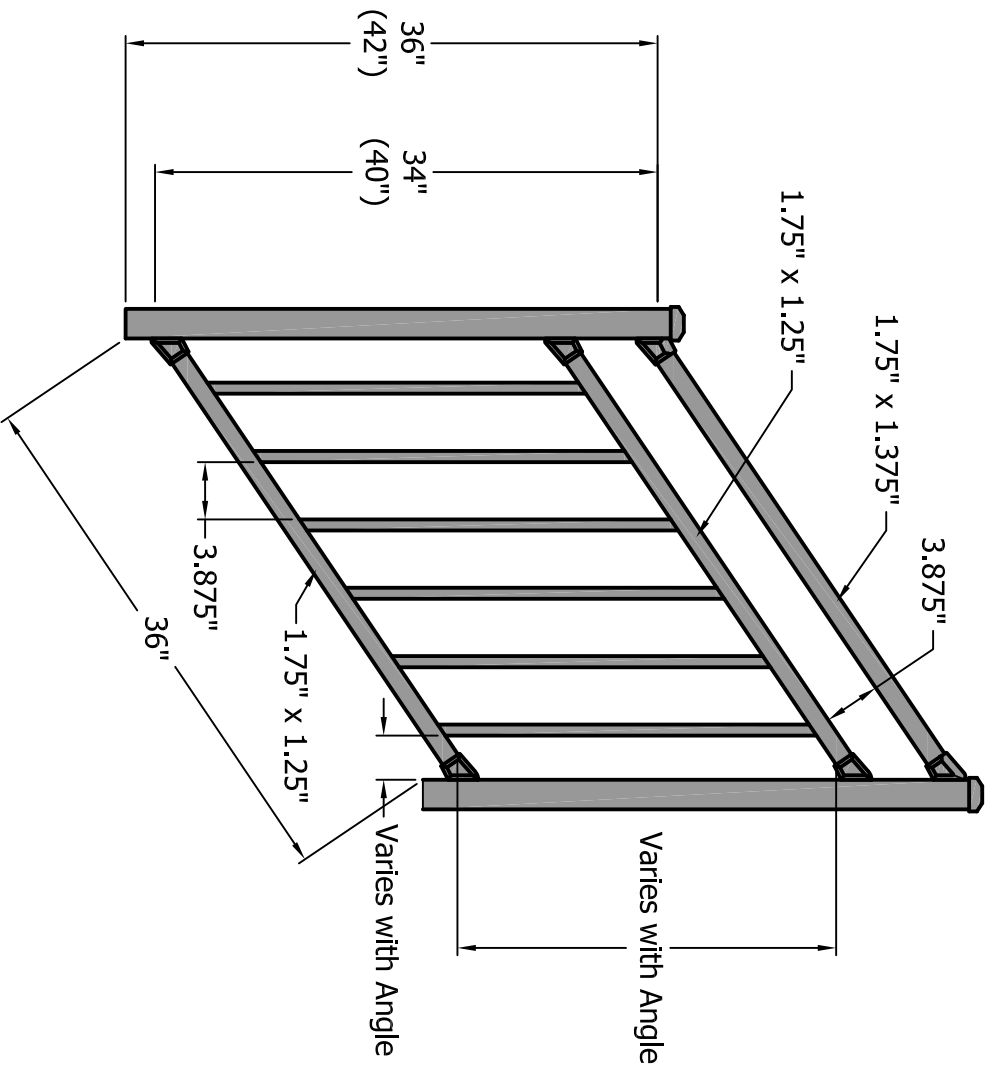


REV.	REVISION	DATE

Stair at 34°



FINISH:		DSI Digger Staircases, Inc.	
STANDARD TOLERANCES:		3446 US 6 EAST Bremen, IN 46506	
.000 ±.01 FRACTIONS:		20091214-1	
ANG. ±.5°		LOC PDF: z:/projects/projects 2009/C30/	
SCALE = none		FILE NAME: C30 3 foot stair mark	
SHEET SIZE = C		PART NUMBER: C30 - 3 foot Stair 36" Tall & 42" Tall	
DATE DRAWN: 12-15-2009		STYLE: Riviera Ring Top	
DRAWN BY: wjm		REV.	

4

3

2

1