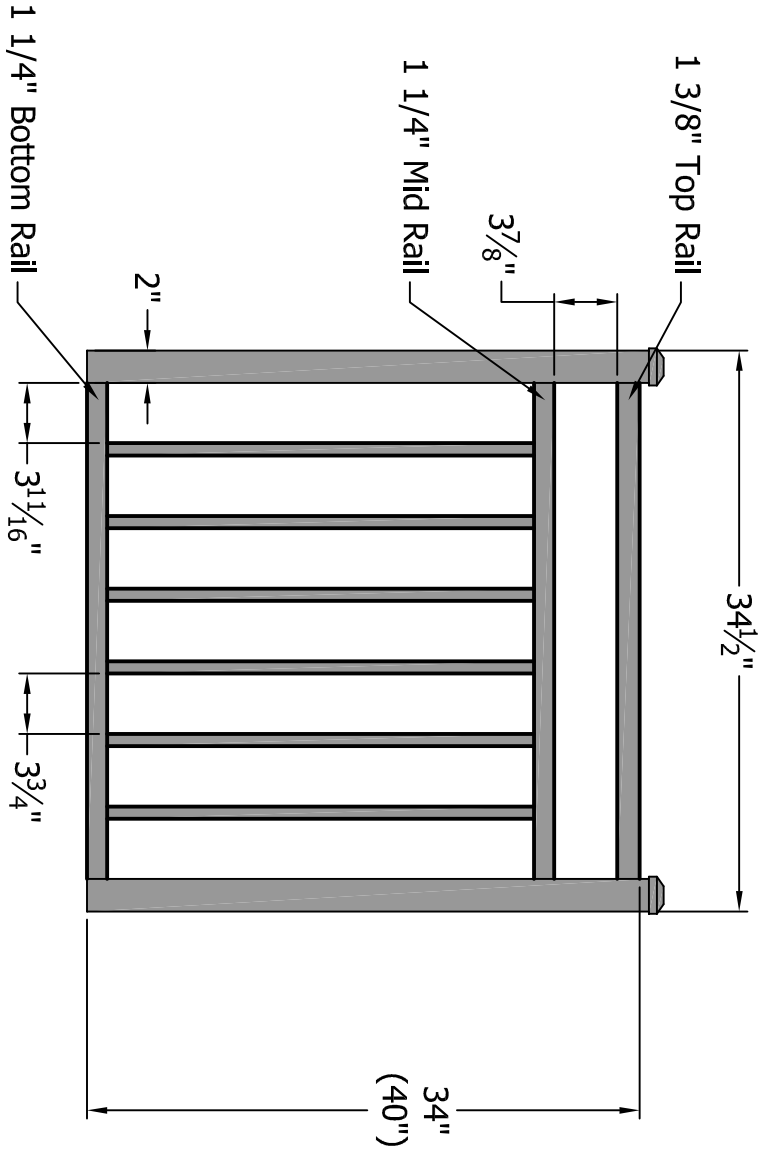


PART NUMBER:

REV.	LOC.	REVISION	DATE
A		RELEASE PENDING APPROVAL	



4 3 2 1

FINISH:	3446 US 6 EAST Bremen, IN 46506	DSI Digger Products, Inc.
SHEET SIZE = C	DRAWN BY: wjm	PART NUMBER: Riviera C30 Gate
SCALE = none	DATE DRAWN: 01-11-2010	STYLE: Riviera No Picket Top
STANDARD TOLERANCE: .00 ±.01 FRACTIONS: ANG. ±.5°	LOC ACAD: Z:\Projects\Projects 2009\C30\ Gates\	FILE NAME: C30 Gate mark 36
DRAFT: 20100111-1	LOC PDF:	REV. A