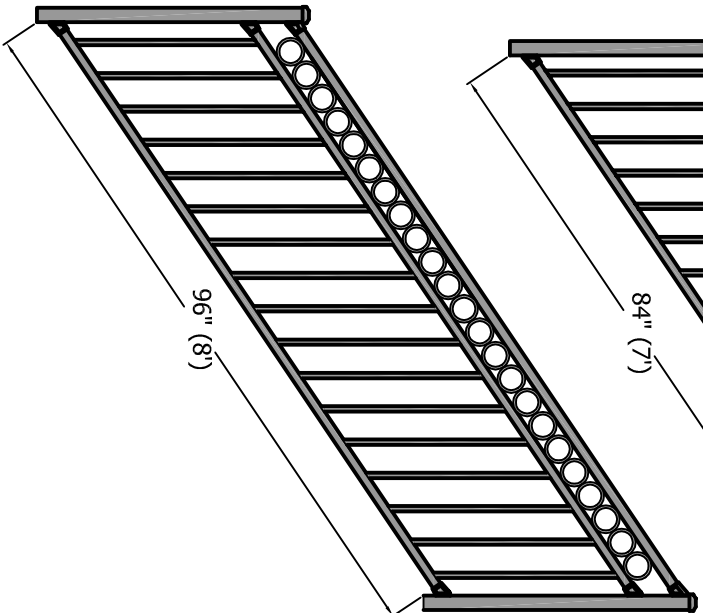
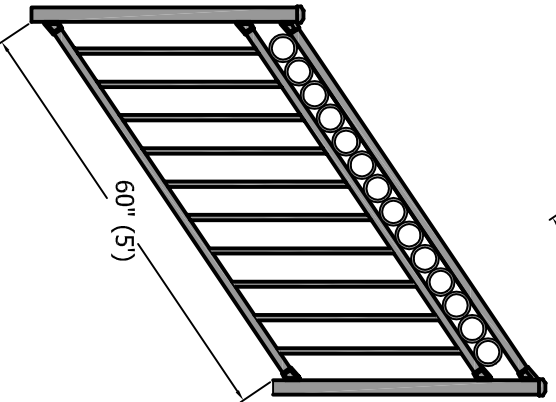
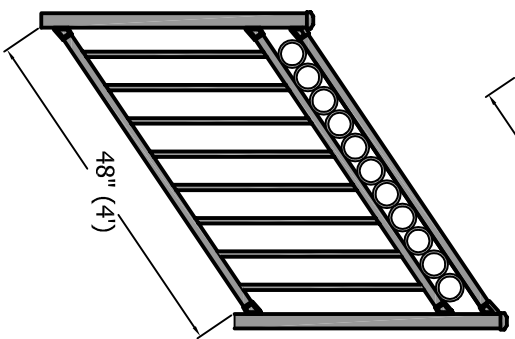
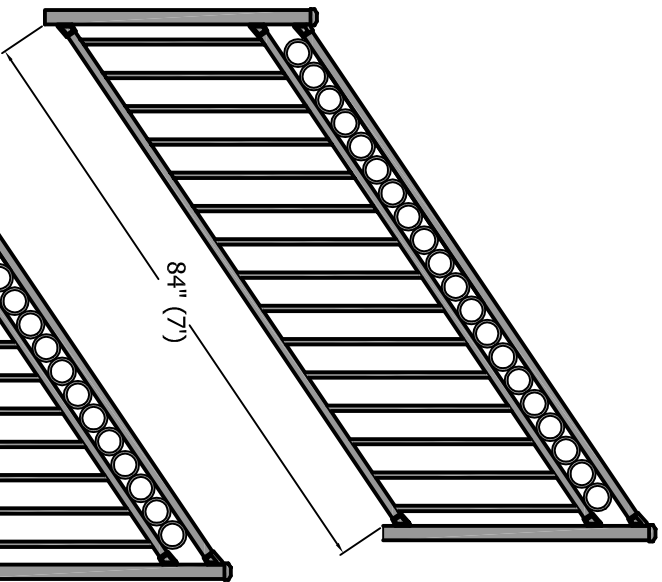
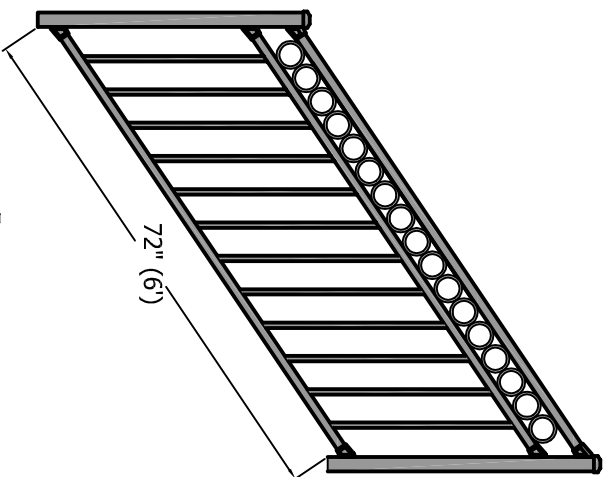
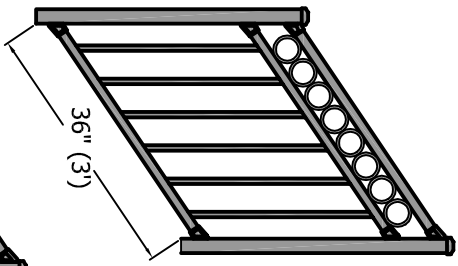


Riviera Ring Stair Sections

(Style C30R)

REV.	LOC.	REVISION	DATE



NOTE:


Sections are available 36" and 42" tall
 Straight sections and stair section horizontal rails are aligned
 Railing is shown at 36" tall
 Stair sections are shown at 34°
 Distance between pickets is 3.875" (3 7/8")
 End spacing for sections is NOT equal to picket spacing
 Distance between top and mid rail is 3.875" (3 7/8")

4

3

2

1

		3446 US 6 EAST BREMEN, IN 46506	
FINISH:			
SHEET SIZE = C SCALE = none		DRAWN BY: wjm DATE DRAWN: 12-24-2009	
STANDARD TOLERANCES: .000 ±.01 FRACTIONS: ANG. ±.5° ±1/8"		LOC ACAD: Z:/projects/projects 2009/C30/ LOC PDF: Z:/projects/projects 2009/C30/	
DRAFT: 20091224-1		PART NUMBER: C30R Stair Section Drawings	
PART NAME: C30R stair section drawings		REV.	