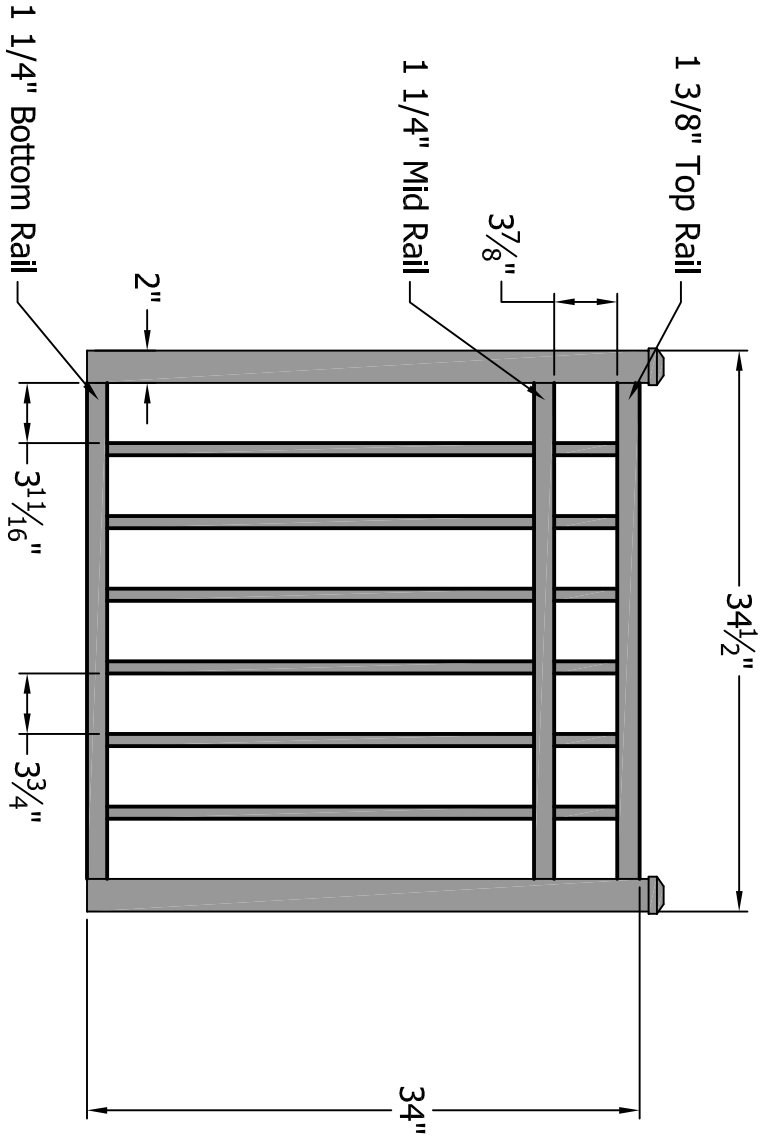


PART NUMBER:

REV.	LOC.	REVISION	DATE
A		RELEASE PENDING APPROVAL	



4

3

2

1

DSI
Digger
Inc.
3446 US 6 EAST
Bremen, IN 46506

FINISH:	SHEET SIZE = C	DRAWN BY: wjm	PART NUMBER:
STANDARD TOLERANCE: .000 ±.01 FRACTIONS: ANG. ±.5°	SCALE = none	DATE DRAWN: 01-11-2010	Riviera C-31 Gate
LOC ACAD: Z:\Projects\Projects 2009\C30\Gates\	DRAFT: 20100111-1	LOC PDF:	STYLE: Riviera Full Picket Top
			FILE NAME: C31 Gate mark 36
			REV. A

A B C D