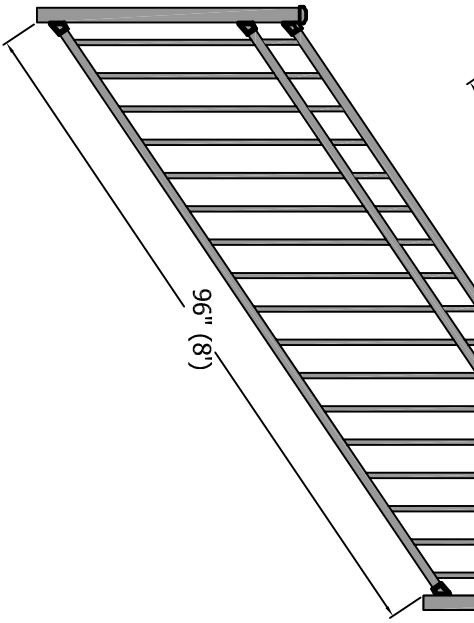
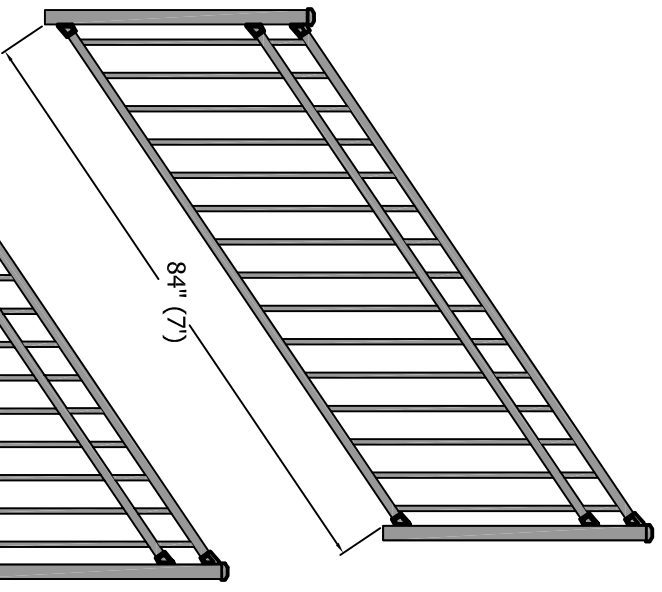
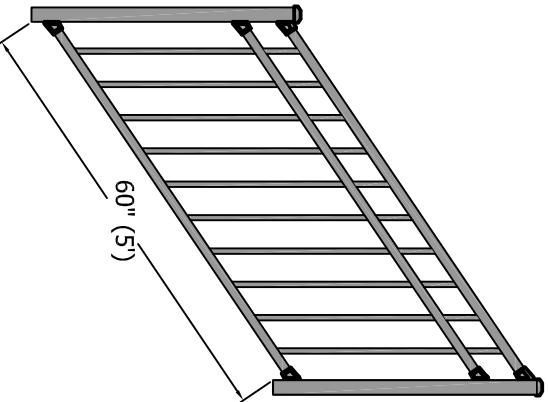
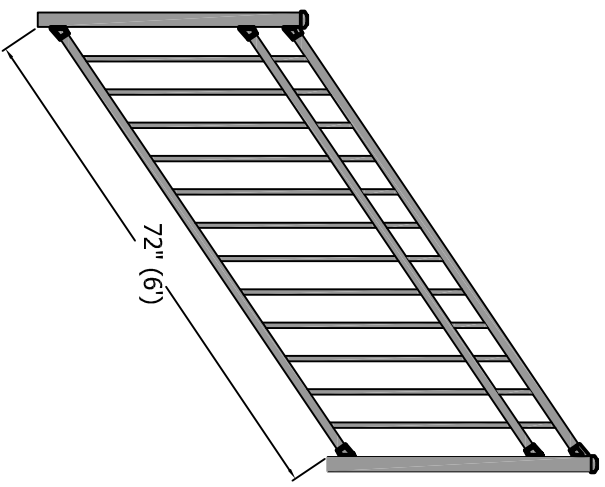
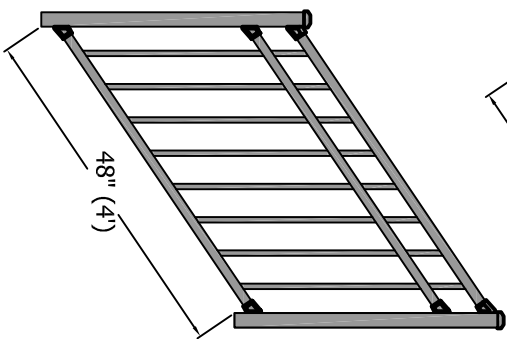
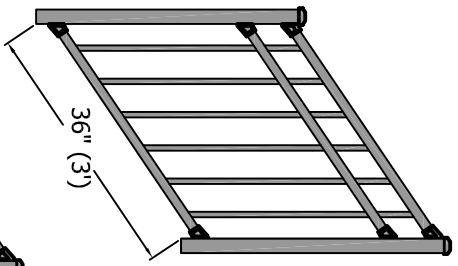


Riviera I Stair Sections

(Style C31)

REV.	LOC.	REVISION	DATE



NOTE:

Sections are available 36" and 42" tall
 Straight sections and stair section horizontal rails are aligned
 Railing is shown at 36" tall
 Stair sections are shown at 34°
 Distance between pickets is 3.875" (3 7/8")
 End spacing for sections is NOT equal to picket spacing
 Distance between top and mid rail is 3.875" (3 7/8")

4

3

2

1

DSI Digger Structures, Inc.
 3446 US 6 EAST
 Bremen, IN 46506

FINISH:	SHEET SIZE = C	DRAWN BY: wjm	PART NUMBER:
STANDARD TOLERANCE: .000 ±.01	SCALE = none	DATE DRAWN: 12-24-2009	C31 Stair Section Drawings
FRACTIONS: ±1/8"	LOC ACAD: Z:/projects/projects 2009/CS0/	LOC PDF: Z:/projects/projects 2009/CS0/	Riviera Picket Top
ANG. ±.5°	DRAFT: 20091224--1	PART NAME:	C31 stair section drawings
			REV.

A B C D