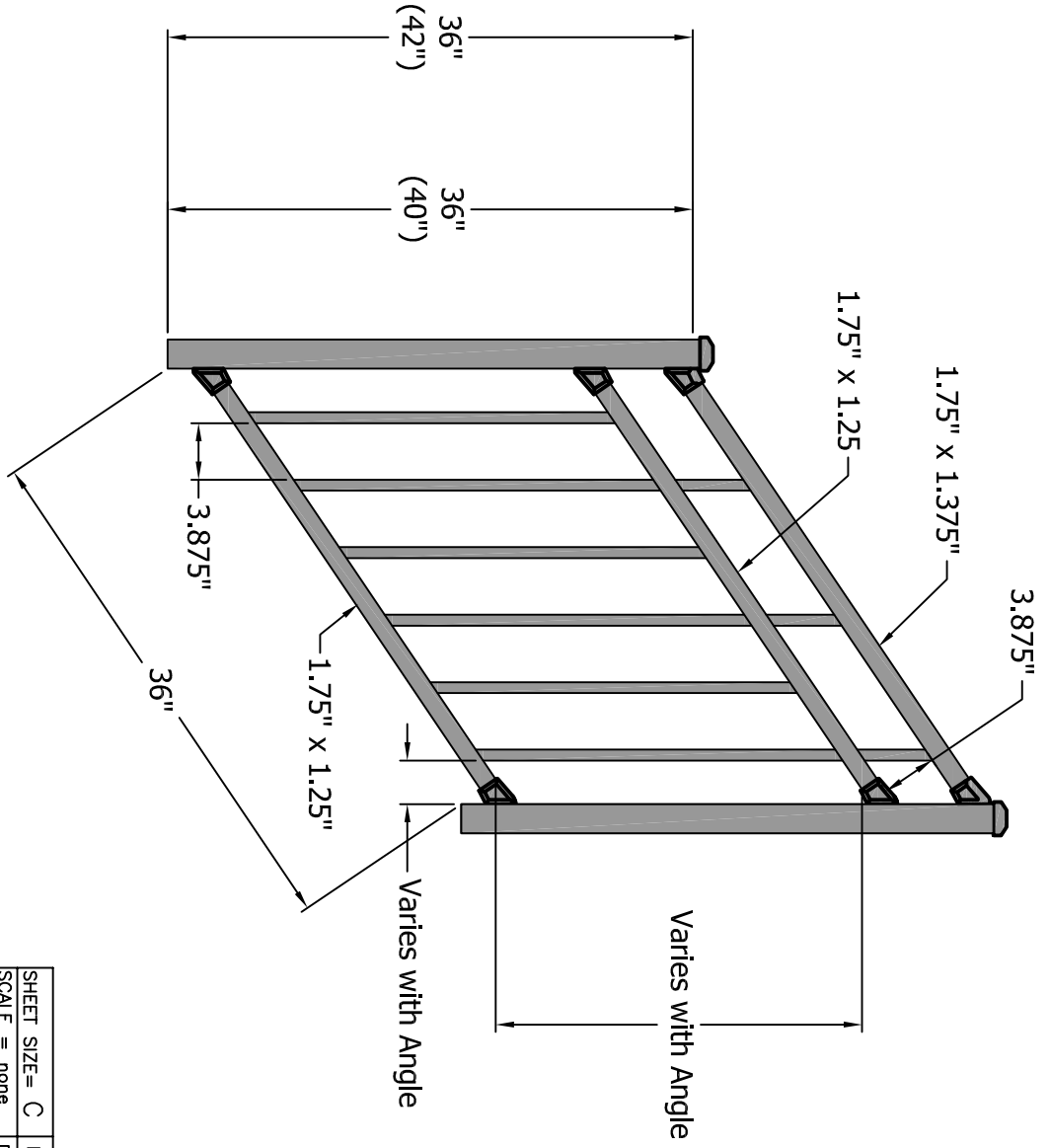


PART NUMBER:

REV. LOC. REVISION DATE

REV.	LOC.	REVISION	DATE

Drawn at 34°



DSI
Digster
Inc.

3446 US 6 EAST
Bremen, IN 46506

FINISH:

STANDARD TOLERANCE:
.000 ±.01 FRACTIONS:
ANG. ±.5° ±.1"

SHEET SIZE = C	DRAWN BY: wjm	PART NUMBER:
SCALE = none	DATE DRAWN: 11-30-2009	C32 -3 foot Stair
DRAFT: 20091130-1	LOC ACAD: z:/projects/projects 2009/C30/	36" Tall & 42" Tall
	LOC PDF: z:/projects/projects 2009/C30/	STYLE: Riviera Alt. Picket Top
		FILE NAME: C32 3 foot stair mark
		REV.

4

3

2

1