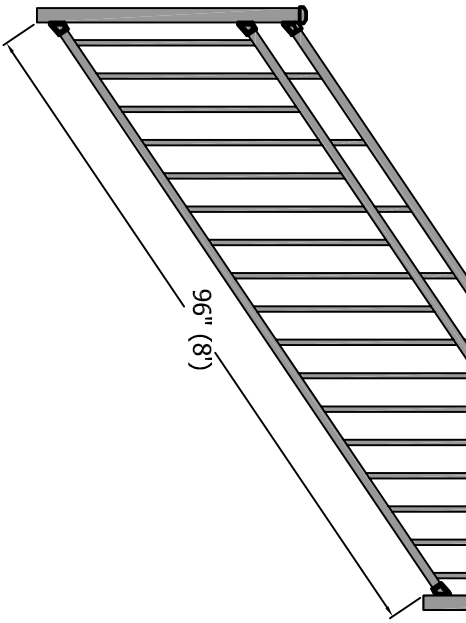
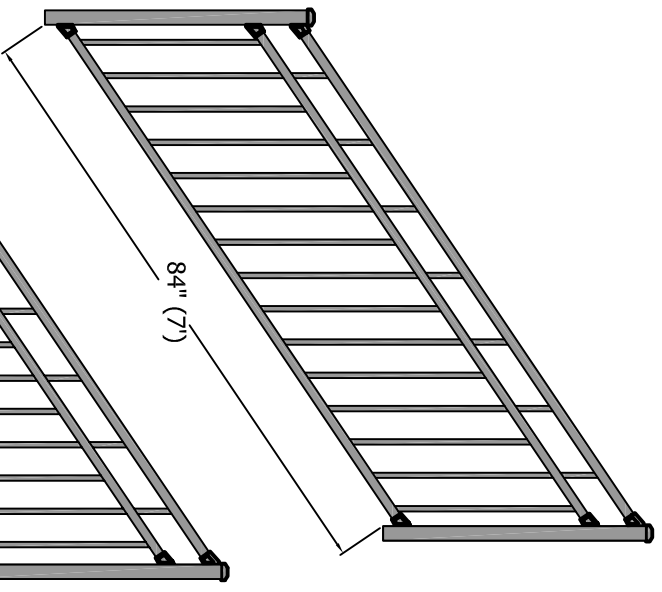
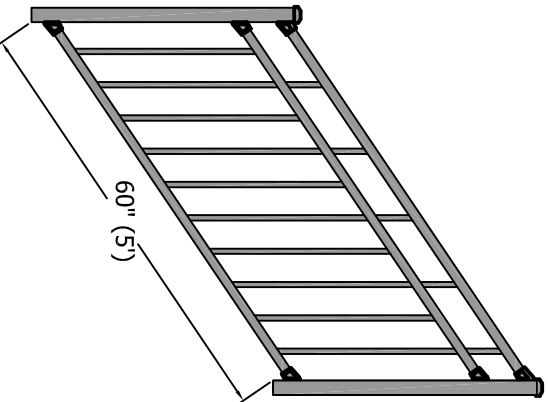
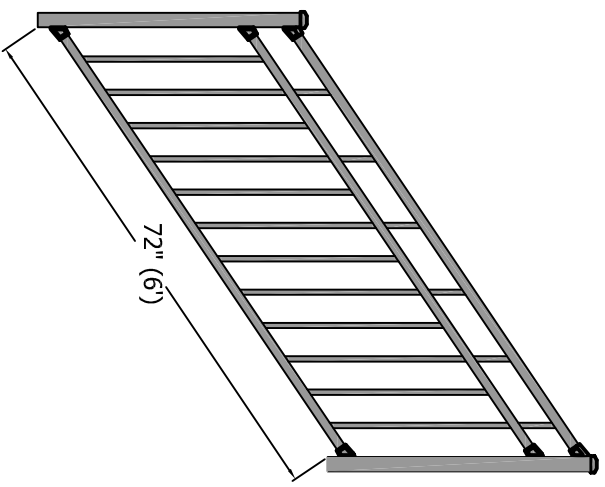
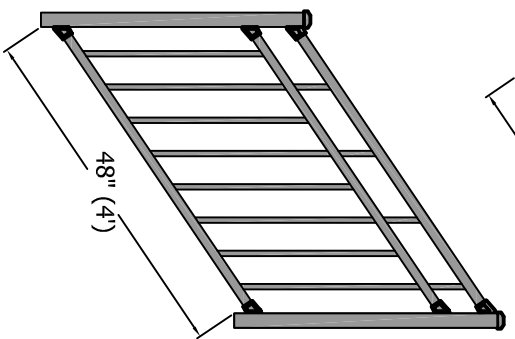
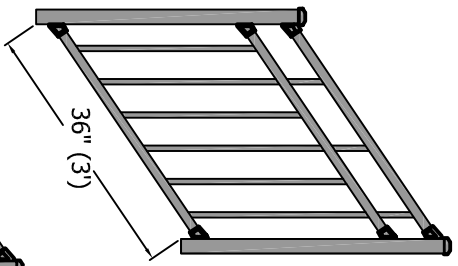


Riviera II Stair Sections

(Style C32)

REV.	LOC.	REVISION	DATE



NOTE:

Sections are available 36" and 42" tall
 Straight sections and stair section horizontal rails are aligned
 Railing is shown at 36" tall
 Stair sections are shown at 34°
 Distance between pickets is 3.875" (3 7/8")
 End spacing for sections is NOT equal to picket spacing
 Distance between top and mid rail is 3.875" (3 7/8")

4

3

2

1

		3446 US 6 EAST BREMEN, IN 46506	
FINISH:		SHEET SIZE =	C
STANDARD TOLERANCE:	.00 ±.01	SCALE =	none
FRACTIONS:	±1/8"	DATE DRAWN:	12-01-2009
ANG. ±.5°		LOC ACAD:	Z:/projects/projects 2009/CS0/
DRAFT:	20091202-2	LOC PDF:	Z:/projects/projects 2009/CS0/
		PART NUMBER:	C32 Stair Section Drawings
		PART NAME:	Riviera Alternate Picket Top
		REV.	

A B C D