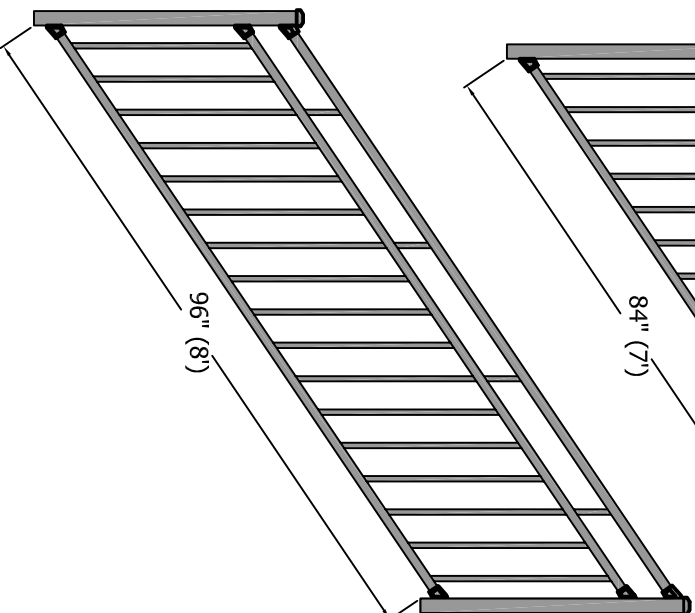
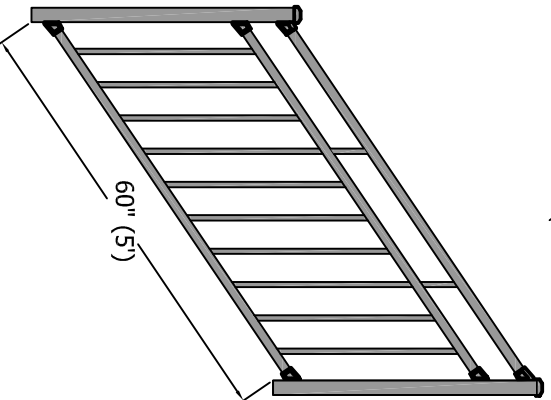
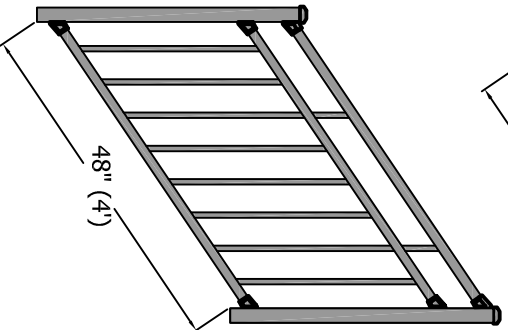
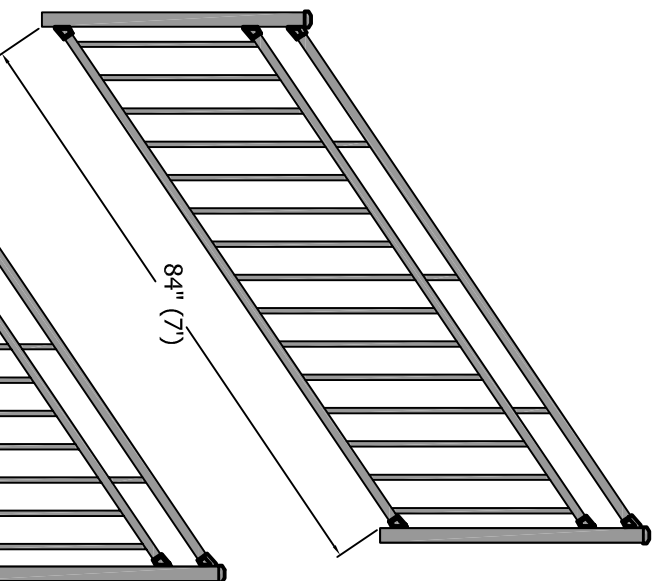
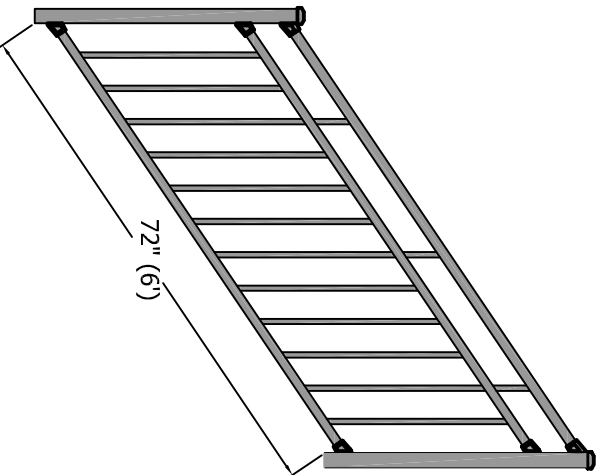
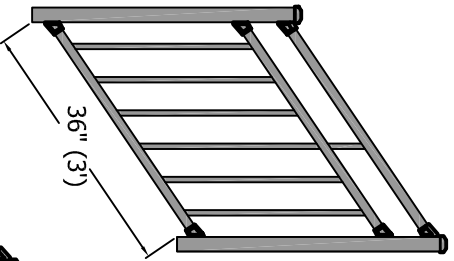


Riviera IV Stair Sections

(Style C34)

REV.	LOC.	REVISION	DATE



NOTE:

Sections are available 36" and 42" tall

Straight sections and stair section horizontal rails are aligned
Railing is shown at 36" tall

Stair sections are shown at 34°

Distance between pickets is 3.875" (3 7/8")

End spacing for sections is NOT equal to picket spacing

Distance between top and mid rail is 3.875" (3 7/8")

4

3

2

1

FINISH:		DSI Digster Inc.		3446 US 6 EAST Bremen, IN 46506	
SHEET SIZE = C		DRAWN BY: wjm		PART NUMBER:	
SCALE = none		DATE DRAWN:		C34 Stair Section Drawings	
STANDARD TOLERANCES:		LOC ACAD:		Riviera Alternate 3 Picket Top	
.00 ±.01 FRACTIONS:		Z:/projects/projects/2009/CA0		PART NAME:	
.000 ±.005 ±1/8"		Z:/projects/projects/2009/CA0		C34 stair section drawings	
ANG. ±.5°		LOC PDF:		REV.	
DRAFT: 20091202-2		Z:/projects/projects/2009/CA0			