

# TREX SIGNATURE® GLASS RAILING

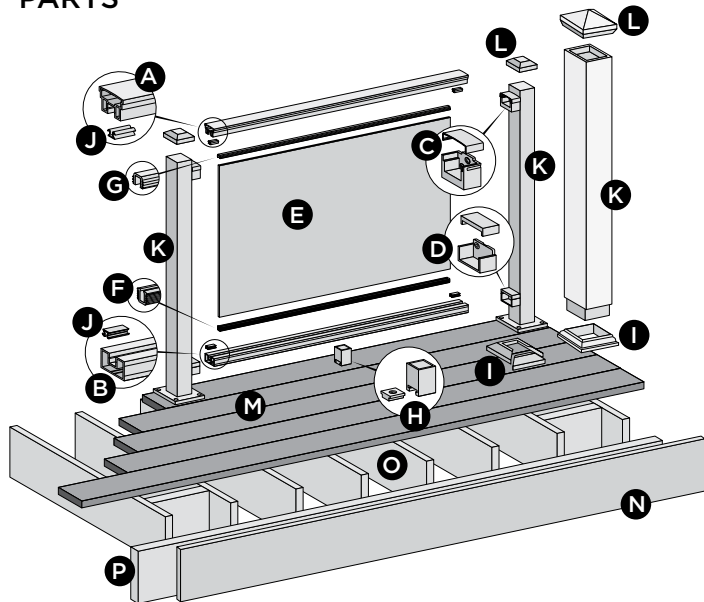
## Installation Instructions



### NOTES:

- » TREX SIGNATURE GLASS RAILINGS ARE DESIGNED TO BE ATTACHED WITH POSTS INSTALLED AT A MAXIMUM CLEAR SPAN OF 6' (1.83M).
- » NOTE: MUST USE TREX DECK MOUNT POST HARDWARE AND METAL PLATE WHEN ATTACHING TREX SIGNATURE POSTS.
- » NOT RECOMMENDED FOR STAIR APPLICATIONS.
- » SEE BELOW FOR SPECIFIC GLASS DIMENSIONS.
- » ALWAYS REFER TO YOUR LOCAL BUILDING CODE OFFICIAL PRIOR TO INSTALLING ANY RAILING SYSTEM TO ENSURE ALL CODE AND SAFETY REQUIREMENTS ARE MET. TREX® CANNOT BE HELD RESPONSIBLE FOR IMPROPER OR NON-RECOMMENDED INSTALLATIONS.

### PARTS



NOTE: IMAGE SHOWN HERE IS POST TO POST CONFIGURATION.

### TEMPERED GLASS PANEL DIMENSIONS

- » **36" (914 mm) high rail:**  
1/4" x 32-5/16" x 67" max.  
(6 mm x 821 mm x 1702 mm)
- » **42" (1067 mm) high rail:**  
1/4" x 38-5/16" x 67" max.  
(6 mm x 973 mm x 1702 mm)

NOTE: IF NOT INSTALLING GLASS AT FULL RAILING SPAN, GLASS MUST BE CUT TO ALLOW FOR 2 1/2" CLEARANCE ON EACH SIDE OF POST (DO NOT EXCEED 4").

### Screws Supplied



#8 x 1-1/4" Rail to  
Bracket Screw



#10 x 5/8" Bracket to  
Post Screw

- A. Trex Signature Glass top rail - 6' (actual length 73.5" [186.7 cm])
- B. Trex Signature Glass bottom rail - 6' Rail (actual length 71.5" [181.6 cm])
- C. Trex Signature upper rail bracket and cover
- D. Trex Signature lower rail tabless bracket and cover
- E. Tempered glass panel\* (NOT included in kit)
- F. Bottom Sill Gasket
- G. Top Head Gasket
- H. Trex Signature foot block (REQUIRED FOR ALL TREX SIGNATURE GLASS INSTALLATIONS)
- I. Trex Signature post skirt or post sleeve skirt\*
- J. Snap-in Channel Filler
- K. Trex Signature post\*
  - 36" (actual length 37" [94.0 cm])
  - 42" (actual length 43" [109.2 cm])
  - or Trex 4" x 4" post sleeve\*\*
  - 36" (actual length 39" [99.1 cm])
  - 42" (actual length 45" [114.3 cm])
- L. Trex Signature post cap or post sleeve cap\*
- M. Trex decking
- N. Trex Fascia
- O. Code-approved wood joist 2" x 8" (5.1 cm x 20.3 cm) or larger
- P. Code-approved wood rim joist 2" x 8" (5.1 cm x 20.3 cm) or larger

\* Item not included in Trex Signature Railing kits. Trex Signature Posts (black only) can also be purchased with brackets installed, eliminating steps 1-4 in instructions below. Sku numbers are as follows:

SKU number	Description
BKAL252537RCAPCNR	Signature Post 37" Corner Post
BKAL252537RCAPEND	Signature Post 37" End Post
BKAL252537RCAPLINE	Signature Post 37" Inline Post
BKAL252543RCAPCNR	Signature Post 43" Corner Post
BKAL252543RCAPEND	Signature Post 43" End Post
BKAL252543RCAPLINE	Signature Post 43" Inline Post

\*\* Both 4" x 4" (10.2cm x 10.2cm) and 6" x 6" (15.2cm x 15.2 cm) post sleeves are designed to fit over a 4" x 4" pressure treated post.

### Installing Posts

**REFER TO DETAILED INSTRUCTIONS ON HOW TO INSTALL TREX SIGNATURE POSTS OR PRESSURE TREATED POSTS.**

# TREX SIGNATURE® GLASS RAILING

## Installation Instructions

### HOW TO INSTALL HORIZONTAL GLASS RAILING TREX SIGNATURE STANDARD

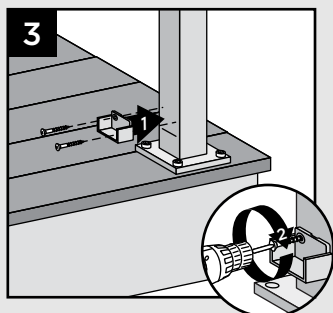
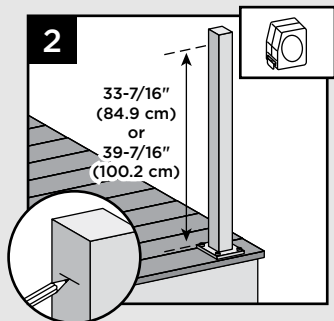
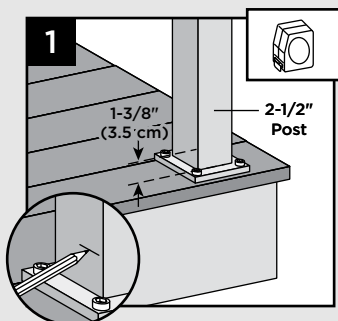
#### NOTES:

- » **FOR EASE OF INSTALLATION, IT IS RECOMMENDED TO USE THE TREX SIGNATURE RAIL TEMPLATES TO ATTACH BRACKETS (SOLD SEPARATELY).**
- » *Trex Signature Posts can also be purchased separately which have brackets preinstalled, thus skipping steps 1-4. See previous page for sku numbers.*

#### Attach Brackets Using Trex Signature Posts

**TIP:** Use a clamp to help hold brackets in place while fastening with screws.

1. Measure 1-3/8" (3.5 cm) from top of post base plate or 1-7/8" (4.8 cm) from decking surface. Mark with light line.

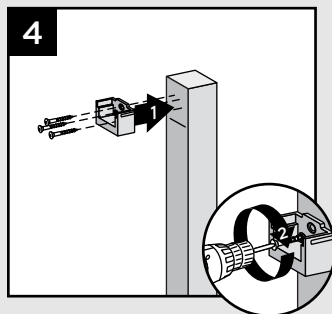


2. Measure up from post base plate 33-7/16" (84.9 cm) for 36" (92 cm) rail height or 39-7/16" (100.2 cm) for 42" (107 cm) rail height. Mark with light line.

**NOTE:** If measuring from decking surface, measure up 33-15/16" (86.2 cm) for 36" (92 cm) rail height or 39-15/16" (101.4 cm) for 42" (107 cm) rail height.

3. Center lower bracket on post **above** the marked line and attach using two self-tapping screws (provided).
4. Center upper bracket on post **above** marked line and attach using (3) self-tapping screws (provided).

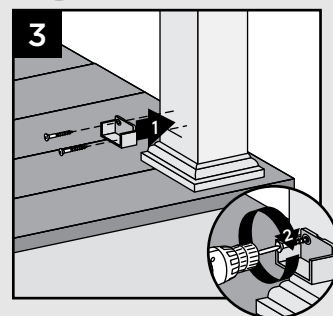
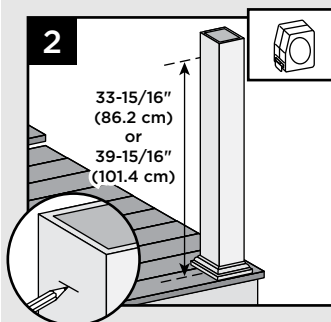
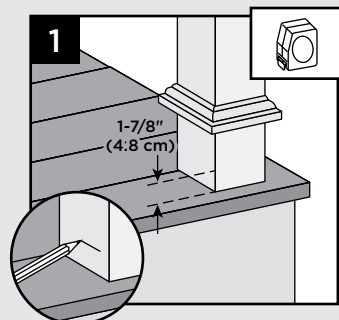
**NOTE:** Upper bracket is not required on crossover post configuration.



#### Attach Brackets Using Pressure-Treated Posts and Post Sleeves

**TIP:** Use a clamp to help hold brackets in place while fastening with screws.

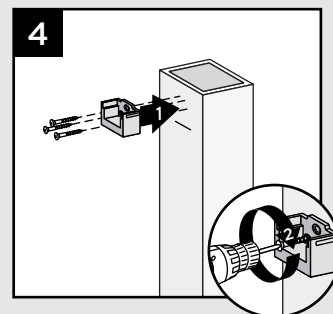
1. Measure 1-7/8" (4.8 cm) up from deck surface to bottom of bracket. Slide skirt up to allow for proper measurement. Mark with light line.



2. Measure up from decking surface 33-15/16" (86.2 cm) for 36" (92 cm) rail height or 39-15/16" (101.4 cm) for 42" (107 cm) rail height. Mark with light line.

**NOTE:** Push skirt back down onto surface of decking **BEFORE ATTACHING BRACKETS.**

3. Center lower bracket on post **above** the marked line and attach using two 2" (51 mm) wood screws (provided).
4. Center upper bracket on post **above** marked line and attach using three 2" (51 cm) wood screws (provided).

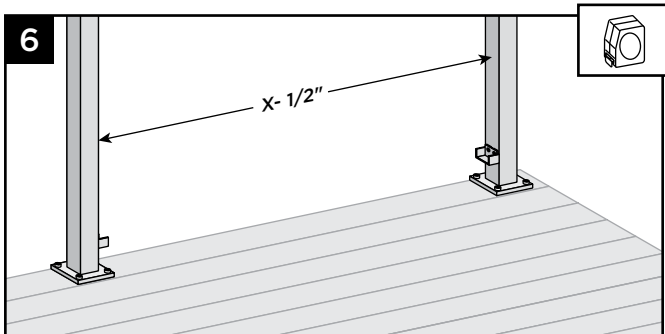


## HOW TO INSTALL HORIZONTAL GLASS RAILING/CONTINUED TREX SIGNATURE STANDARD

5. Prepare a clean, soft, solid work surface area for glass (cardboard, blanket, etc.).

### How to Measure Bottom and Top Rails

For Full Span Post to Post Applications - only top rail will need to be cut. For Full Span Crossover to Crossover post Applications - no rails have to be cut.

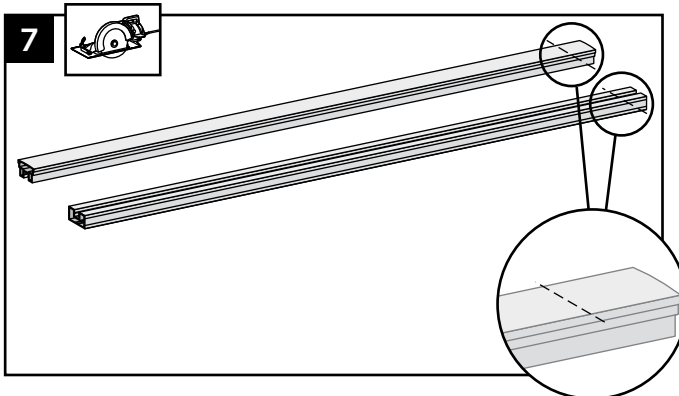


6. Measure distance between posts (X), and subtract 1/2" for bracket clearance.

If installing crossover post configurations, adjust top rail length:  $X + 3/4"$  if using one crossover post, or  $X + 1 1/2"$  if using two crossover posts.

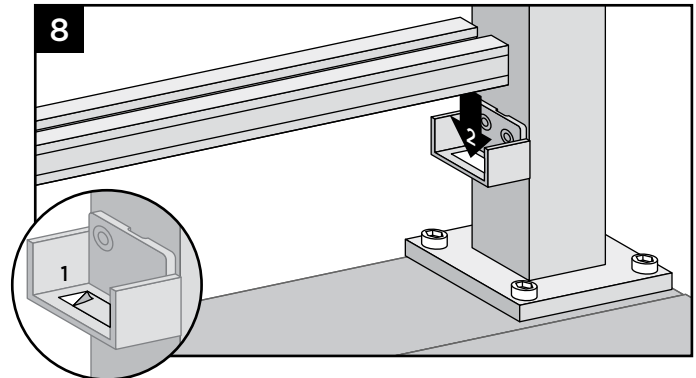
If using swivel brackets, measure distance between brackets and cut railings to this distance. In addition, tab must be removed from bottom swivel brackets.

### Cutting Railings



7. Cut both bottom and top rail to length as determined above.

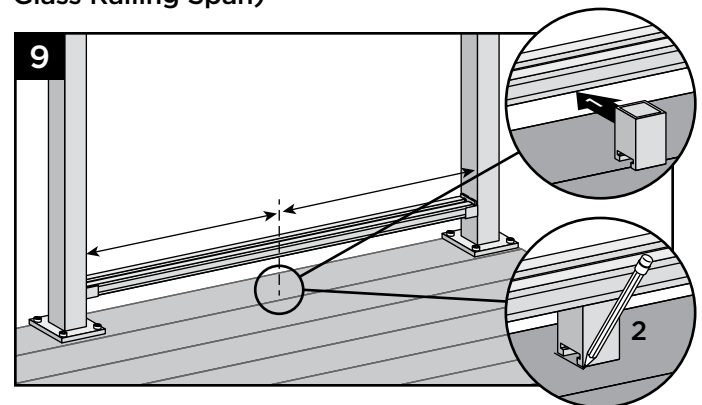
### Installing Bottom Rail



8. Place adhesive strips (provided) into bottom rail brackets, and then place bottom rail into brackets. Using a 3/8" drill bit, drill weep holes through center of bottom rail channel at 4 evenly spanned locations to allow for water drainage.

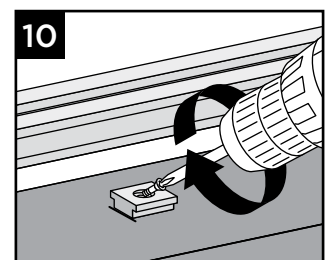
**NOTE:** Make sure surface is clean and dry.

### Attachment of Foot Block (One Footblock is Required for Any Length Glass Railing Span)



9. To ensure correct location, place foot block under center of bottom rail. Mark to provide placement location of base.

10. Place base (smaller side facing down) on decking surface. Attach base of foot block using one screw at an angle through base and into decking.



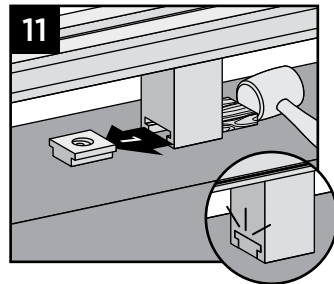
**NOTE:** Pre-drilling is recommended (1/8" [0.32 cm] drill bit) for attachment of base.

# TREX SIGNATURE® GLASS RAILING

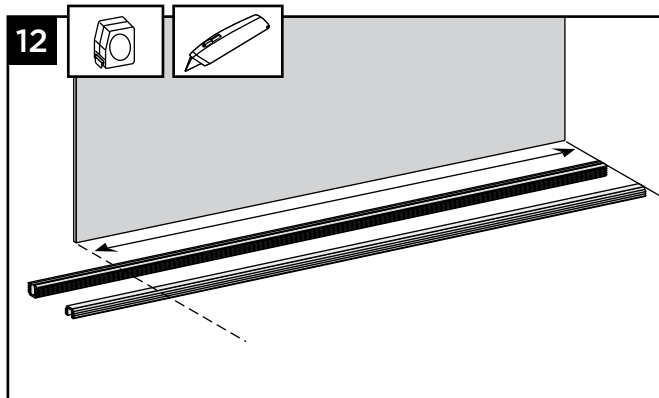
## Installation Instructions

### HOW TO INSTALL HORIZONTAL GLASS RAILING/CONTINUED TREX SIGNATURE STANDARD

11. After attaching foot block base, use a rubber mallet along with scrap piece of wood to tap foot block until it locks into place.

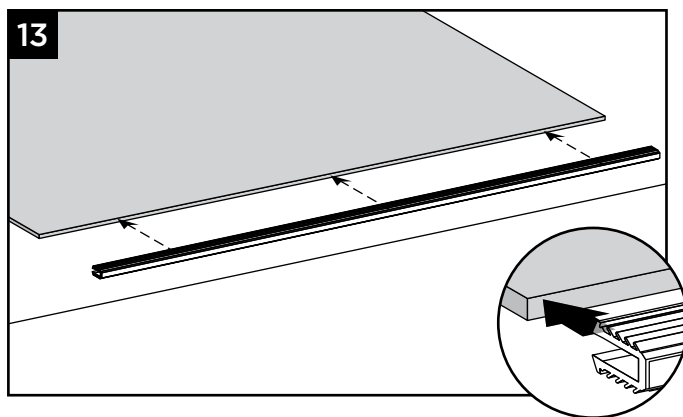


#### Cutting Gaskets



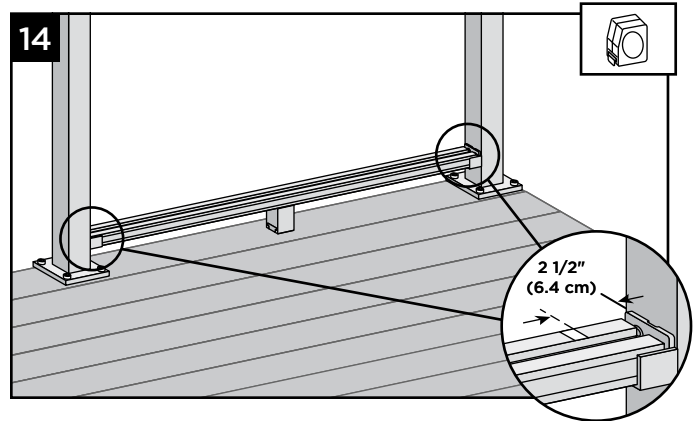
12. Cut both bottom sill gasket and top head gasket to the same length of glass panel.

#### Installing Bottom Sill Gasket



13. Lay glass on clean soft surface and install the bottom sill gasket onto the bottom edge of the glass panel

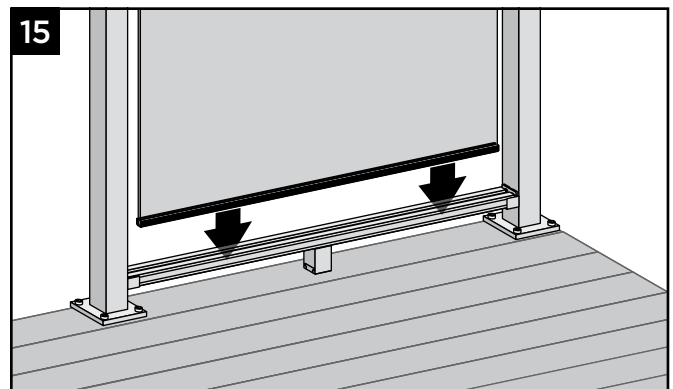
#### Centering the Glass and Installing into Bottom Rail



14. For full span installation, make a temporary mark on the bottom rail (example: use removable tape) 2-1/2" from each post. This will allow for glass to be centered between posts on bottom rail.

For all other spans, make sure glass is centered **BEFORE** installing into bottom rail. **WARNING: DO NOT** exceed 4" between glass and post.

**THIS IS IMPORTANT AS THE GLASS MUST BE CENTERED ON THE BOTTOM RAIL BEFORE INSTALLATION, AS THIS IS VERY DIFFICULT TO REMOVE IF PLACED INCORRECTLY.**

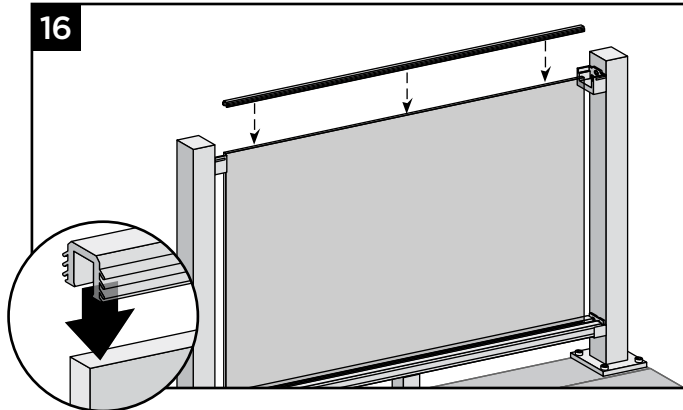


15. Press glass panel (with bottom sill gasket on glass) firmly into the bottom rail.

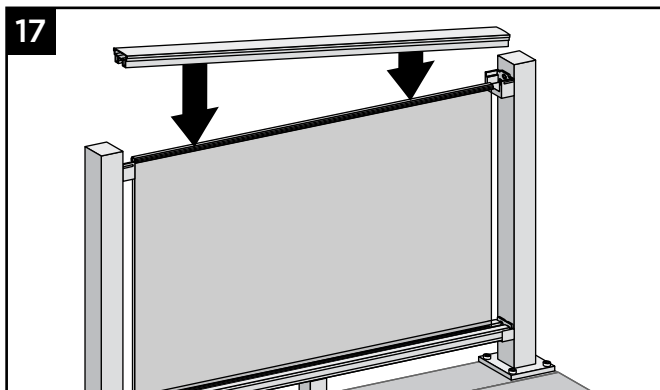
**NOTE:** Make sure glass is being secured by hand until final assembly of the top rail.

## HOW TO INSTALL HORIZONTAL GLASS RAILING/CONTINUED TREX SIGNATURE STANDARD

### Installing Top Head Gasket and Top Rail

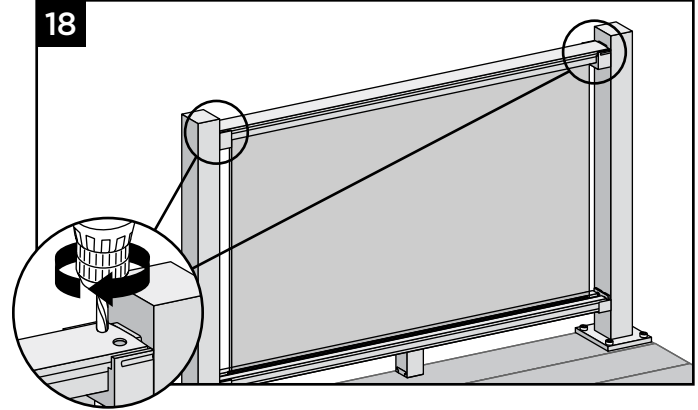


16. Install top head gasket onto the top of the glass panel. Note that the gasket may be loose at this stage.



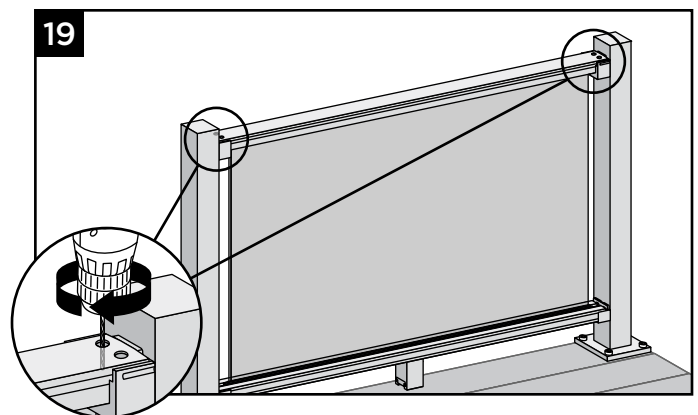
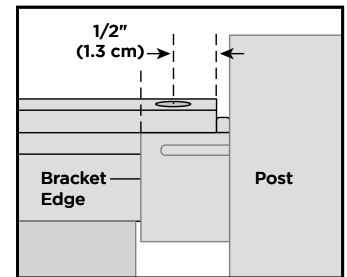
17. Starting at one end and working down, press the top rail firmly onto the top of the glass panel (with top head gasket on glass). Ensure the top rail is centered properly and top rail will seat into brackets when finished.

### Attaching Top Rail to Brackets

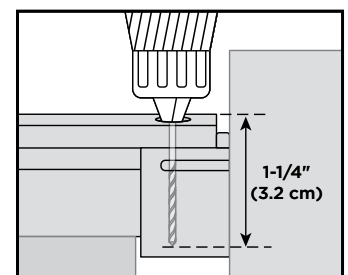


18. Drill two 1/2" holes approximately 1/2" from end of top rail. Repeat this on opposite side of top rail.

**NOTE:** HOLES CANNOT EXTEND PAST BRACKET, OTHERWISE BRACKET COVER WILL NOT COVER HOLES.



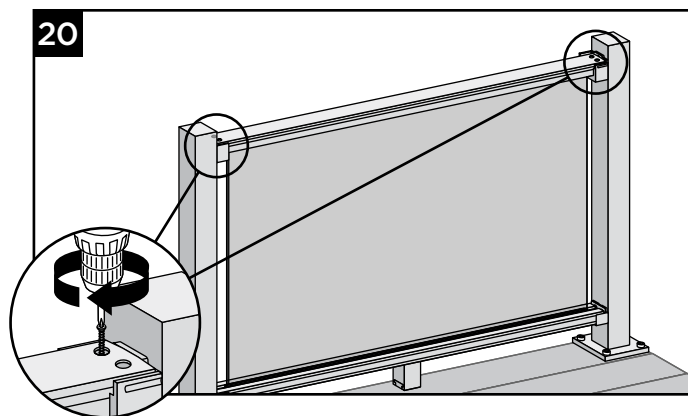
19. Using 9/64" bit provided, center into above holes and **PREDRILL** into top rail bracket at a depth of approximately 1-1/4". Use care to not drill through underside of top bracket.



# TREX SIGNATURE® GLASS RAILING

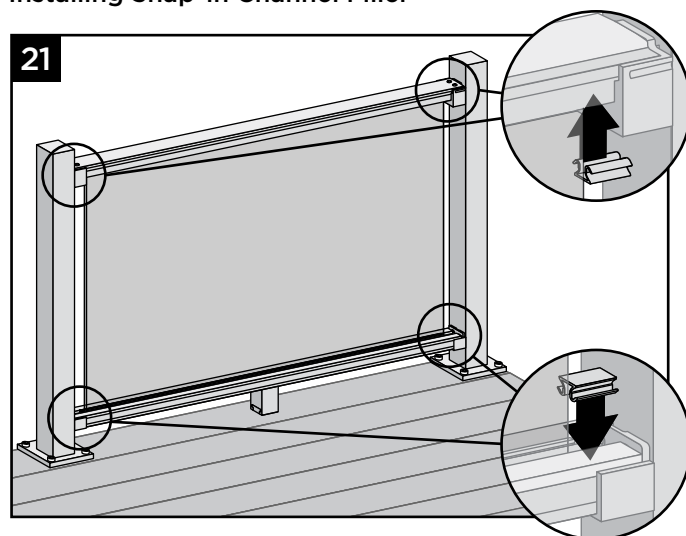
## Installation Instructions

### HOW TO INSTALL HORIZONTAL GLASS RAILING/CONTINUED TREX SIGNATURE STANDARD



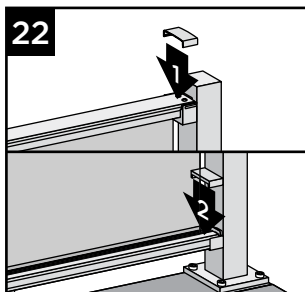
20. Install two #8 x 1-1/4" screws provided into top rail and top bracket on each end of top rail.

#### Installing Snap-in Channel Filler

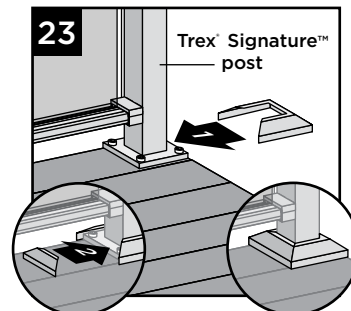


21. Cut snap-in channel filler to correct length and install into channels of bottom and top rails. Use of a rubber mallet may assist with this step. **DO NOT** attempt to cut short snap-in pieces with a miter saw. Use an angle grinder or hack saw only.

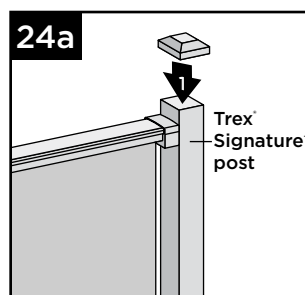
#### Attachment of Bracket Covers, Skirts, and Caps



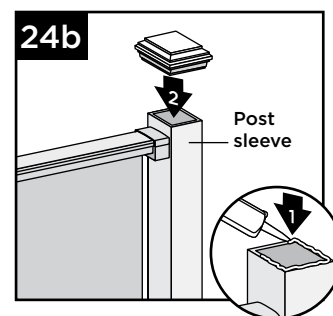
22. Attach corresponding bracket covers over opening in upper and bottom rails.



23. Attach provided post skirt to bottom of posts when using Trex Signature posts.



24a. Attach post caps to Trex Signature posts. (Use of **rubber mallet** may be required for secure attachment.)



24b. Attach post caps to post sleeves using external grade PVC construction adhesive.



# TREX SIGNATURE® GLASS RAILING

## Installation Instructions